

# INSTALLATION AND OPERATION GUIDE FOR HARGROVE GAS LOGS Kodiak Burner System NATURAL GAS



**ADEQUATE FIREPLACE VENTILATION IS REQUIRED FOR SAFETY.  
GAS LOGS MUST BE INSTALLED BY PERSONNEL QUALIFIED FOR  
INSTALLING GAS APPLIANCES.**

**NOTE!** READ INSTRUCTIONS FULLY BEFORE INSTALLING OR OPERATING.  
**INSTALLERS LEAVE THESE INSTRUCTIONS WITH THE CONSUMER!**

Hargrove Manufacturing Corporation uses refractory material to create ceramic logs. Each log is hand finished to assure the most realistic, detailed log available. The gas log burner system is designed to burn like wood with a yellow smoky flame. For this reason the gas log set must be burned only in a fully vented, non-combustible fireplace with the **damper completely open** and the chimney free of any obstructions or restrictions. The fireplace must be designed and approved to burn wood. The minimum permanent, free opening provided by the fireplace chimney must be 8" in diameter (50 square inches). The realistic yellow flame produces carbon monoxide and soot. Under normal conditions these products are exhausted up the chimney. If fumes or soot from the gas burning are evident in the room when the damper is fully open, it indicates that the fireplace draft is defective. Do not operate your gas log set until the fireplace draft is corrected.

**IT IS THE HOMEOWNERS RESPONSIBILITY TO ASSURE  
THEIR FIREPLACE HAS ADEQUATE DRAFT.**

**WARNING: IF THE INFORMATION IN THIS MANUAL IS NOT FOLLOWED EXACTLY, A FIRE  
OR EXPLOSION MAY RESULT CAUSING PROPERTY DAMAGE, PERSONAL INJURY OR  
LOSS OF LIFE.**

**ADEQUATE VENTILATION IS REQUIRED.**

## **FOR YOUR SAFETY**

**IF YOU SMELL GAS:**

1. OPEN WINDOWS
2. DON'T TOUCH ELECTRICAL SWITCHES
3. EXTINGUISH ANY OPEN FLAMES
4. IMMEDIATELY CALL YOU GAS SUPPLIER

FLAMMABLE VAPORS MAY BE DRAWN BY AIR CURRENTS FROM OTHER AREAS OF YOUR HOUSE TO THIS APPLIANCE.

## **FOR YOUR SAFETY**

DO NOT STORE OR USE GASOLINE OR OTHER FLAMMABLE VAPORS AND LIQUIDS IN THE VACINITY OF THIS OR ANY OTHER APPLIANCE.

THE SIZE CHART BELOW INDICATES THE MINIMUM SIZE FIREPLACE OPENINGS IN, WHICH DIFFERENT SIZE GAS LOG SETS CAN BE INSTALLED.

## **MINIMUM FIREPLACE SIZES**

Gas Log Set Size	Double/Triple Depth	With Valve		No Valve	
		Front Width	Back Width	Front Width	Back Width
30"	21"/31"	36"	36"	34"	30"
36"	21"/31"	42"	42"	40"	34"
48"	21"/31"	54"	54"	52"	48"
60"	21"/31"	66"	66"	64"	60"



We recommend that our gas hearth products be installed and serviced by professionals who are certified in the U.S. by the National Fireplace Institute® (NFI) as NFI Gas Specialists.

## GENERAL INFORMATION

**DO NOT USE A NATURAL GAS SET FOR PROPANE OR A PROPANE SET FOR NATURAL GAS. WHEN USING PROPANE (LPG) GAS AN AUTOMATIC PILOT SYSTEM MUST BE INSTALLED.**

1. There are many different local codes for gas fire logs. The installation of this set must conform with local codes or, in the absence of local codes, to the National Fuel Gas Code ANSI Z223.1 1999.
2. **This log set is designed for use with Natural Gas.**
3. When glass fireplace doors are used, always operate gas log set with the doors fully open to allow for proper combustion air.
4. A fire screen must be in place when the log set is in use.
5. The appliance and its individual shut off valve must be disconnected from the gas supply piping system at test pressures in excess of ½ psig. The appliance must be isolated from the gas supply piping system by closing its individual manual shut off valve during any pressure testing of gas supply system at test pressures equal to or less than ½ psig.
6. Minimum inlet supply pressure for Natural Gas is 7" water column. Maximum inlet supply pressure for Natural Gas is 10 ½" water column.
7. After burning, the logs become fragile and should not be handled. Knocking or rubbing logs can cause concrete to crumble and is not covered under the warranty.
8. Use a soft, dry paintbrush for periodic dusting of the gas fire logs. Special care must be taken to clean the birch logs. Rubbing will remove soot but will also remove the white pigments.

**NOTE: PERSONNEL QUALIFIED TO INSTALL GAS APPLIANCES MUST INSTALL GAS LOGS.**

## INSTALLING YOUR **HARGROVE** GAS LOGS

Remove all the parts from the shipping container. Your set includes the following parts:

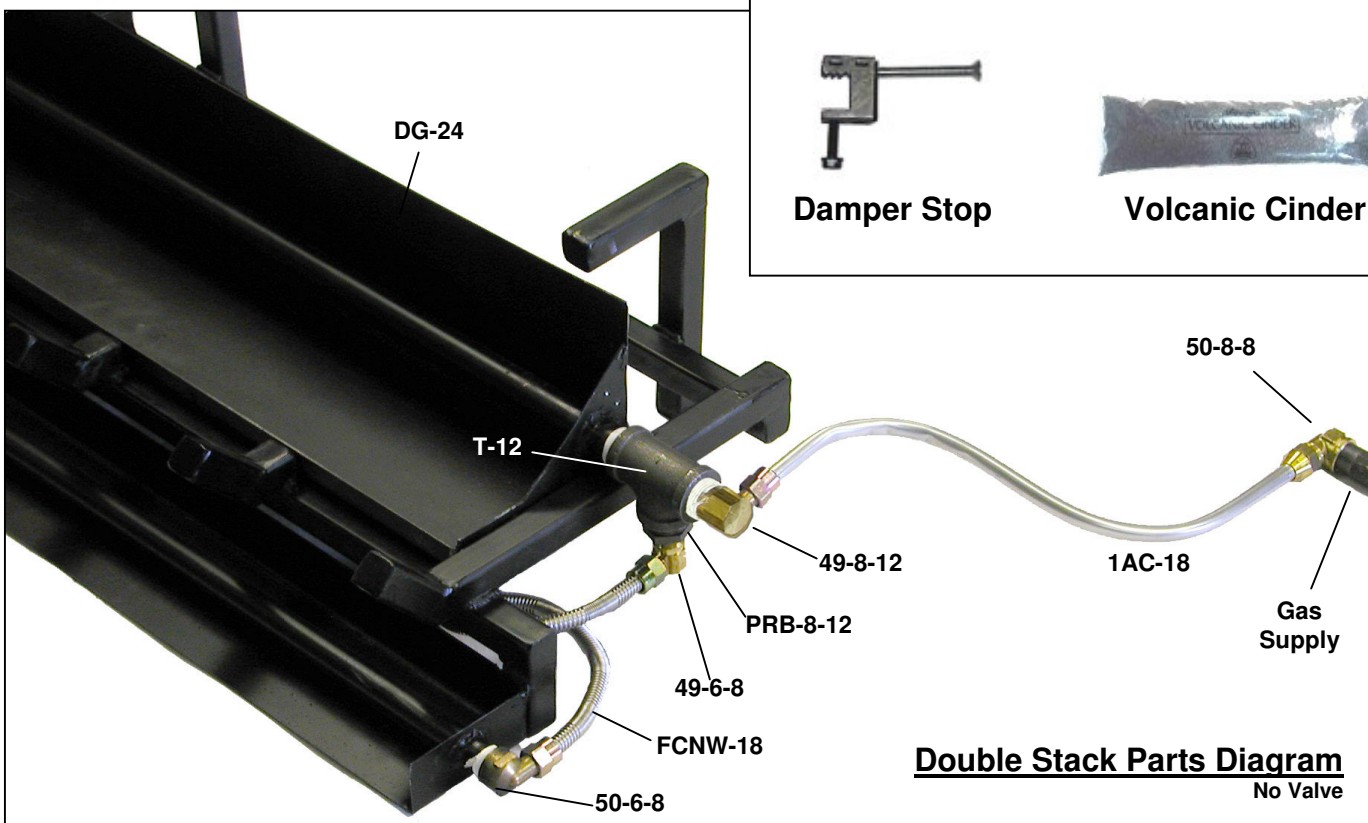
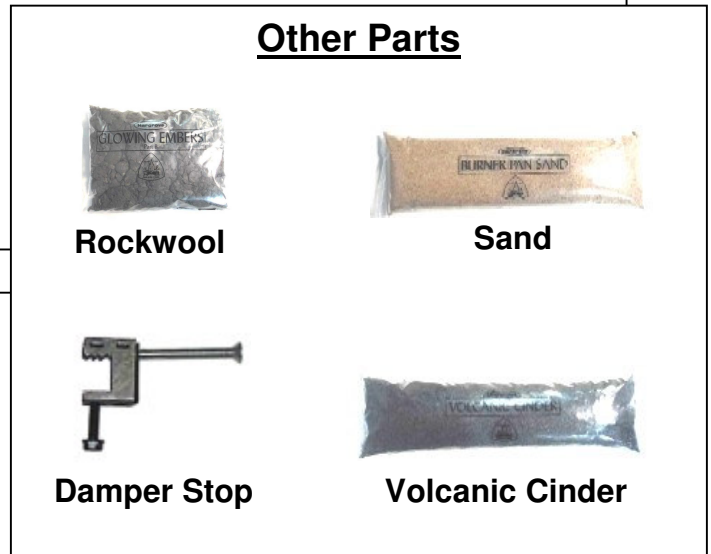
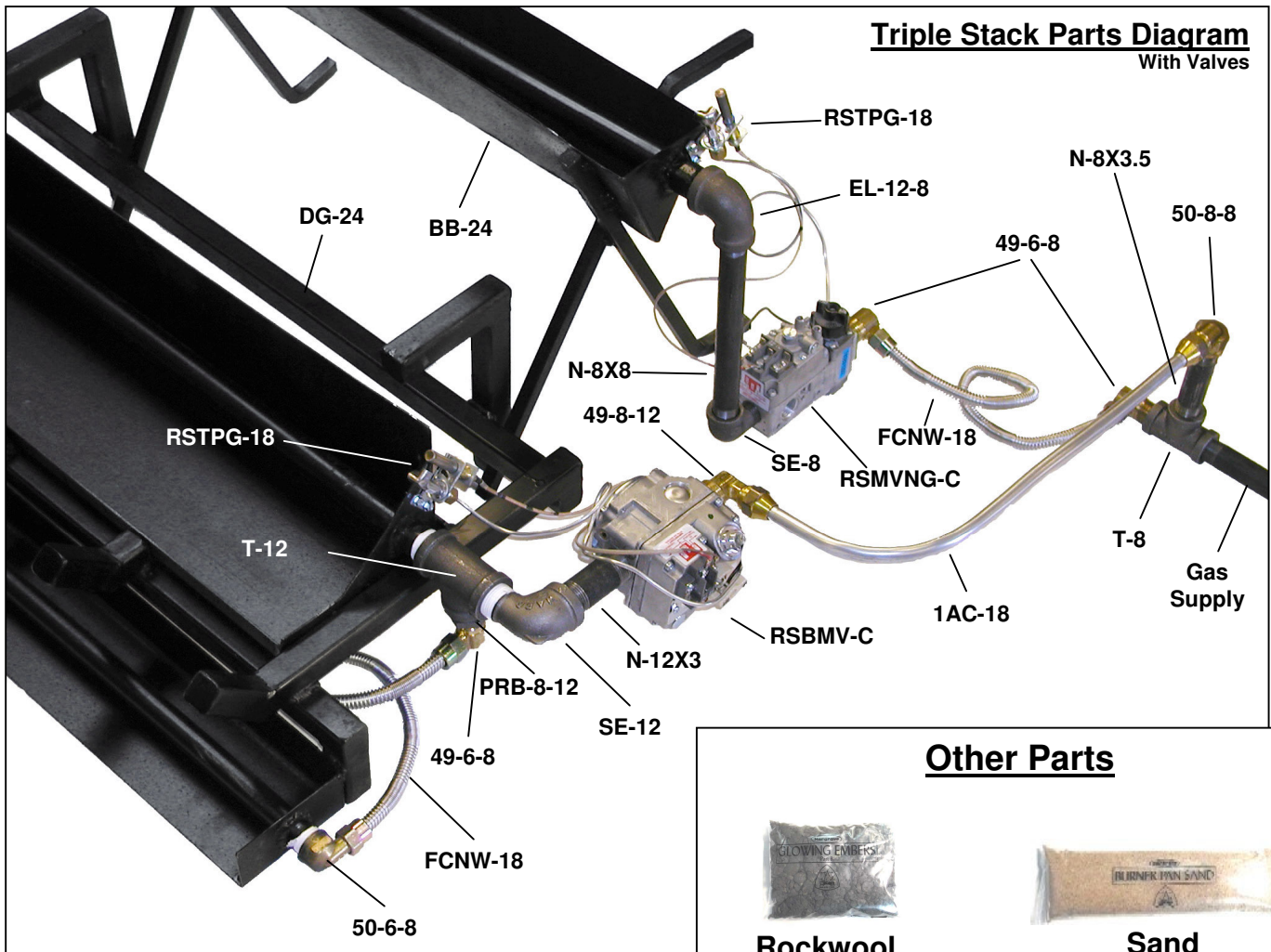
<b><u>Double Stack Parts List</u></b>					
<b>No Valve</b>					
<b><u>Number by Set</u></b>	<b><u>30" Sets</u></b>	<b><u>36" Sets</u></b>	<b><u>48" Sets</u></b>	<b><u>60" Sets</u></b>	
1.	Kodiak Burner	DG-24	DG-30	DG-42	DG-54
2.	Silica Sand	(3) SD-10	(3) SD-10	(5) SD-10	(5) SD-10
3.	Fire Embers	(4) RW	(4) RW	(5) RW	(6) RW
4.	Volcanic Cinders	(3) VC	(3) VC	(4) VC	(5) VC
5.	Aluminum Connector	1AC-18	1AC-18	1AC-18	1AC-18
6.	No Whistle Flex Connector	FCNW-18	FCNW-18	FCNW-18	FCNW-18
7.	Damper Stop	DS	DS	DS	DS
8.	¾" Black Cap	CAP-12	CAP-12	CAP-12	CAP-12
9.	½" Black Cap	CAP-8	CAP-8	CAP-8	CAP-8
10.	Brass Elbow ½"FIP x 3/8"FL	50-6-8	50-6-8	50-6-8	50-6-8
11.	Brass Elbow ½"FIP x ½"FL	50-8-8	50-8-8	50-8-8	50-8-8
12.	Brass Elbow ¾"MIP x ½"FL	49-8-12	49-8-12	49-8-12	49-8-12
13.	Pipe Bushing ¾" x ½"	PRB-12-8	PRB-12-8	PRB-12-8	PRB-12-8
14.	Pipe-T ¾"	T-12	T-12	T-12	T-12
15.					
<b>With Valve</b>					
16.	Pipe Nipple ¾" x 8"	N-12X3	N-12X3	N-12X3	N-12X3
17.	Street Elbow ¾"	SE-12	SE-12	SE-12	SE-12
18.	Thermopile Pilot Assembly	RSTPGNG-18	RSTPGNG-18	RSTPGNG-18	RSTPGNG-18
19.	High Capacity Millivolt Valve	RBMV-C	RBMV-C	RBMV-C	RBMV-C
20.	*Heat Shield for Millivolt	HS-425	HS-425	HS-425	HS-425
21.	*Superwool for Heat Shield	SW-HS-425	SW-HS-425	SW-HS-425	SW-HS-425

<b><u>Triple Stack Parts List</u></b>					
<b>No Valve</b>					
<b><u>Number by Set</u></b>	<b><u>30" Sets</u></b>	<b><u>36" Sets</u></b>	<b><u>48" Sets</u></b>	<b><u>60" Sets</u></b>	
1.	Kodiak Burner	BB-24	BB-30	BB-42	BB-54
2.	Silica Sand	SD-10	(2) SD-10	(2) SD-10	(3) SD-10
3.	Fire Embers	RW	(2) RW	(2) RW	(3) RW
4.	No Whistle Flex Connector	FCNW-18	FCNW-18	FCNW-18	FCNW-18
5.	¾" Black Cap	CAP-12	CAP-12	CAP-12	CAP-12
6.	Brass Elbow 3/8" to ½"	(2) 49-6-8	(2) 49-6-8	(2) 49-6-8	(2) 49-6-8
7.	Reducing Elbow ½" x ¾"	EL-12-8	EL-12-8	EL-12-8	EL-12-8
8.	Pipe Nipple ½" x 3.5"	N-8X3.5	N-8X3.5	N-8X3.5	N-8X3.5
9.	Pipe-T ½"	T-8	T-8	T-8	T-8
10.					
<b>With Valve</b>					
10.	Pipe Nipple ½" x 8"	N-8X8	N-8X8	N-8X8	N-8X8
11.	Street Elbow ½"	SE-8	SE-8	SE-8	SE-8
12.	Thermopile Pilot Assembly	RSTPGNG-18	RSTPGNG-18	RSTPGNG-18	RSTPGNG-18
13.	Millivolt Valve	RSMVNG-C	RSMVNG-C	RSMVNG-C	RSMVNG-C
14.	*Heat Shield for Millivolt	HSRS225LH	HSRS225LH	HSRS225LH	HSRS225LH
15.	*Superwool for Heat Shield	SW-HSRS-225	SW-HSRS-225	SW-HSRS-225	SW-HSRS-225

\* = Not Pictured

# PARTS IDENTIFICATION



## DAMPER STOP (Optional)

Attach the damper stop clamp to the fireplace damper blade. Position the clamp to prevent full closure of the fireplace damper blade.  
(See Figure 1)

If the damper stop provided does not fit, the installer shall install a permanent damper stop that will keep the damper open a minimum of 3”.

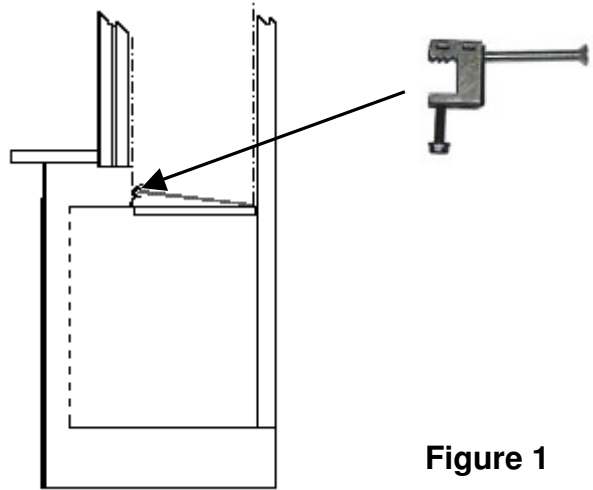


Figure 1

## DOUBLE/TRIPLE STACK BURNER POSITIONING

1. Turn gas **off**.
2. Remove old log lighter, ashes, and other material from the firebox.
3. Center the **Double/Triple Stack Burner** on the fireplace floor with the burner pipes completely visible from the front. For best results, the burners should be directly under the flue opening with a recommended minimum of 4” from the front edge of the front burner to the fireplace opening.



Figure 2

## GAS CONNECTION

1. The gas supply line should be able to accommodate the amount of BTU's found on the *next page* to obtain an optimum flame pattern and burner performance.
2. Tighten the **black pipe caps** on the end of the burner pan pipe.
3. Use the **aluminum connector** to connect the gas supply to the burner. When bending the aluminum tubing use proper bending procedures to avoid kinking the tube. (If a safety pilot control is used follow the instructions included for connecting the gas to the pilot control)
4. Check all connections for leaks using a soapy water solution.
5. Damper must remain fully open during operation. Place a lighted match next to the burner pipe. Do not hold the match in your hand while lighting the gas. Turn the gas supply on slowly until the gas ignites. Check the flame for even distribution, flame height, and gas pressure. After checking the flame, turn off the fire. (Turn the gas valve to the **off** position to turn the fire off.) Do not close the damper until all the flames have died. Keep the glass doors fully open during all burning.

## BTU CHART

<u>Set Size</u>	<u>Double Stack Optimum BTU</u>	+	<u>Triple Stack Optimum BTU</u>	=	<u>Total BTU's</u>
30"	110,000		90,000		200,000
36"	130,000		100,000		230,000
48"	170,000		110,000		280,000
60"	200,000		120,000		320,000

## BURNER PAN MEDIA

1. *Front and Middle Burner* – Fill the pans with the **Silica Sand** all the way to the top of the burner pans even with the sides.
2. *Back Burner (Optional)* – Fill this burner pan with the **Silica Sand** all the way to the top even with all sides of the burner.
3. **Embers** (rockwool) are placed over the sand to simulate glowing embers. For best results pinch off pieces of the Part B material the size of a dime and feather it out. Place as much as desired over the area the gas comes through. Burner should be completely full and level. (**See Figure 3**)
4. Light the gas and observe flame for even distribution. After checking the flame, turn off the fire. (Turn the gas valve to the **off** position to turn the fire off.) Do not close the damper until all the flames have died. Keep the glass doors fully open during all burning.

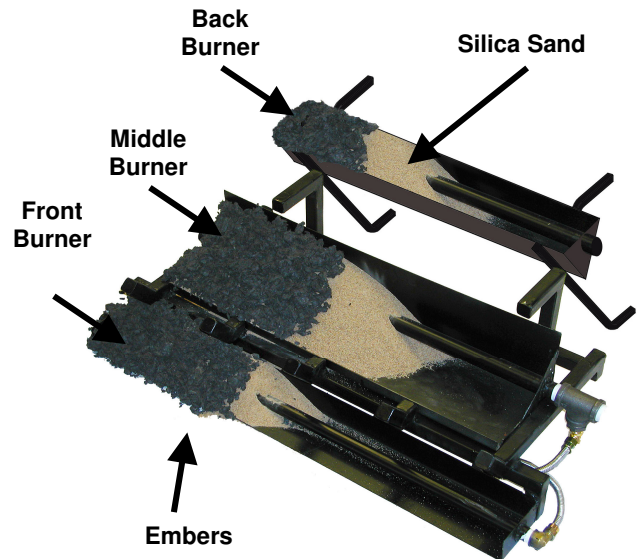


Figure 3

## LOG PLACEMENT

Use the Kodiak Series Log Diagram included with your Kodiak Log Set as a guide when placing the logs.

## VOLCANIC CINDERS

The black **Volcanic Cinders** are used to cover the fireplace floor, fittings and tubing around the burner system. Although not functional, the black cinders act as a picture frame to show off the glowing embers and yellow flame.

## FOR YOUR SAFETY

**Do not use this appliance if any part has been under water. Immediately call a qualified service technician to inspect the appliance and to replace any part of the system or gas control that has been under water.**

**Keep this appliance clear and free from combustible materials, gasoline and other flammable vapors and liquids.**

# LIMITED WARRANTY

## Refractory Logs

Hargrove gas logs carry a limited lifetime warranty against any manufactured defect or breakage when installed indoors. A replacement will be available from the dealer at which the appliance was purchased. This warranty does not cover breakage caused by excessive handling once installed and fired. Outdoor applications carry a one (1) year limited warranty.

## Burner & Grate

If the burner or grate fails due to deterioration within five (5) years of the verified purchase date, a free replacement will be made available from the dealer at which the appliance was purchased. Outdoor applications carry a one (1) year limited warranty.

## Valves, Remote Controls, & Switching Devices

Hargrove warrants all valves, remote controls and switching devices against manufacturing defects, which appear within two (2) years of the verified purchase date. Warranty does not cover products that have been damaged by misuse from overheating. Before any product is returned a Return Goods Authorization number (RGA) must be issued by Hargrove's Customer Service Department. All returns must be accompanied by an explanation of the problem and all necessary parts. Outdoor applications carry a one (1) year limited warranty.

## All Other Parts

If any assembled part should fail to operate or be found defective which appear within two (2) years of the verified purchase date, a replacement will be available from the dealer at which the appliance was purchased. Outdoor applications carry a one (1) year limited warranty.

Buyer shall notify Hargrove Mfg Corp. of any defect covered by this warranty no later than thirty (30) days after defect is discovered. Failure to provide notice within thirty (30) days shall void the limited warranty.

## WHAT IS NOT COVERED

1. Removal and reinstallation costs.
2. Labor costs for replacement or repairs.
3. Transportation or shipping cost.
4. The cost of a service call to diagnose trouble.
5. Painted Surfaces.
6. Damage or defect caused by improper installation, accident, misuse, abuse, alteration, or authorized service technician.
7. Replacement of burner or combustion chamber resulting from improper storage of the appliance.

## LIMITATIONS AND EXCLUSIONS

1. No one has authority to add to or vary this limited warranty, or to create for Hargrove Manufacturing Corporation any other obligation or liability in connection with this appliance.
2. Any implied warranty applicable to this appliance is limited in duration to the same period of time as this written Warranty. Some states do not allow limitations on how long an implied warranty lasts, so the above limitations may not apply to you.
3. HARGROVE MANUFACTURING CORPORATION WILL NOT BE LIABLE FOR INCIDENTAL, CONSEQUENTIAL, SPECIAL OR CONTINGENT DAMAGES YOU MIGHT SUFFER AS A RESULT OF A CLAIM UNDER THIS WRITTEN WARRANTY OR ANY IMPLIED WARRANTY. Some states do not allow the exclusion or limitation of incidental or consequential damages, so the above limitations or exclusion may not apply to you.
4. This warranty applies only to the original purchaser and may not be transferred or assigned.
5. If you cannot verify the purchase date of the appliance, the warranty period will begin on the date of which the appliance was manufactured.
6. Replacement or repair parts are warranted for the remaining period of the original part warranty. Warranty parts must be obtained through authorized dealers of this product who will provide original factory replacement parts. Failure to use original factory replacement parts voids this warranty.
7. The maximum liability of Hargrove Mfg Corp. in connection with this limited warranty shall not in any case exceed the contract price paid for the product claimed to be defective or unsuitable.
8. Purchaser or user agrees to hold Hargrove Mfg Corp. harmless from any and all claims by the buyer as a result of injury or damage to an ultimate user or other person caused by the product sold herein by the seller to the buyer, whether the injury or damage results from the assembly, installation, operation, shipment, storage, or manufacture of this product. Hargrove Mfg Corp. makes no warranties, expressed or implied, other than those expressly stated herein.

## YOUR DUTIES

This appliance must be installed by a qualified installer, operated and maintained in accordance with all applicable codes and the instructions furnished with the appliance. You must provide a receipt verifying the purchase date of the appliance when making a warranty claim with the dealer from which the appliance was purchased.

This warranty gives you specific legal rights, and you may also have other rights, which vary from state to state.

**To register your Hargrove product, please visit our website at <http://www.hargrovegaslogs.com/reg.htm>.  
CONTACT INFO: Hargrove Manufacturing Corp. Tele: (800) 725-4166**